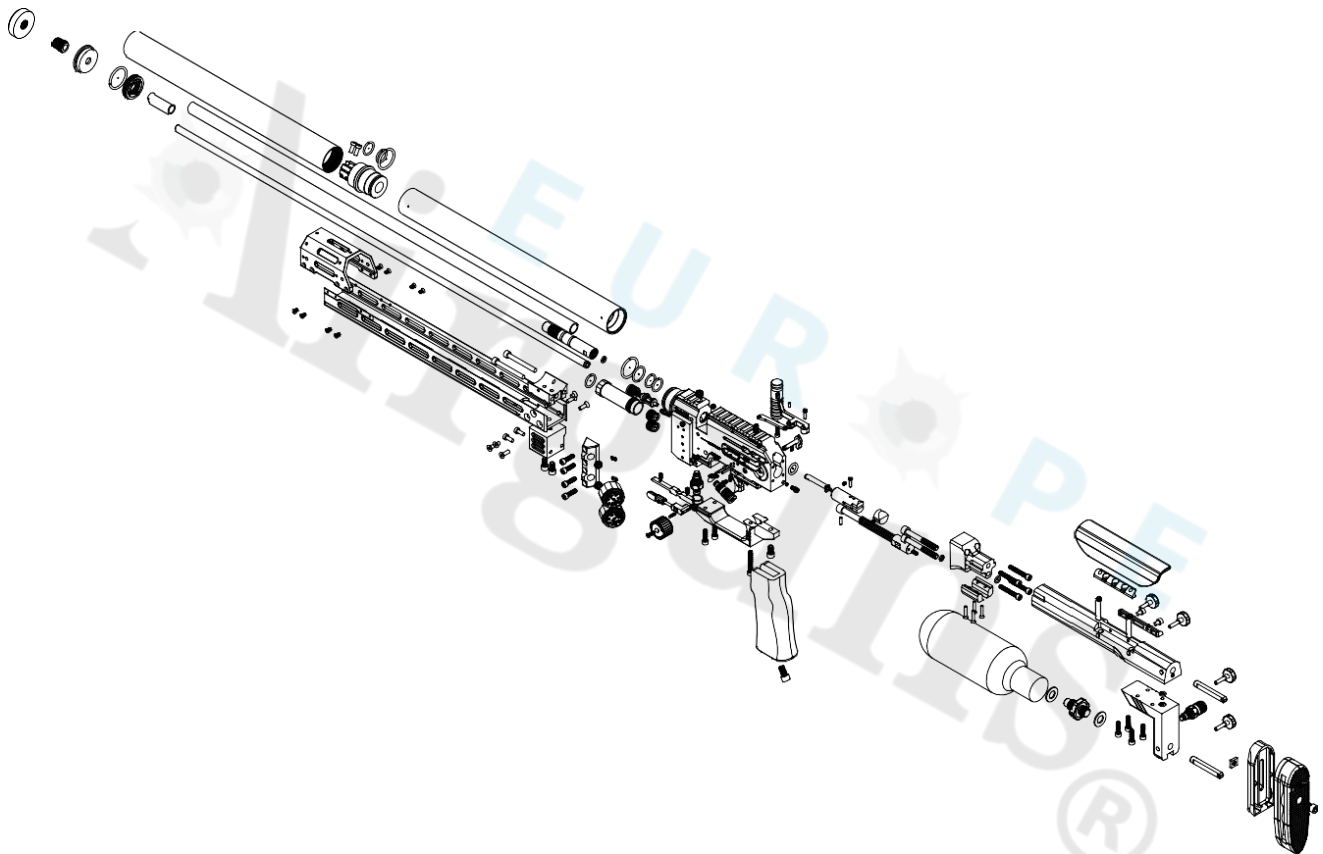
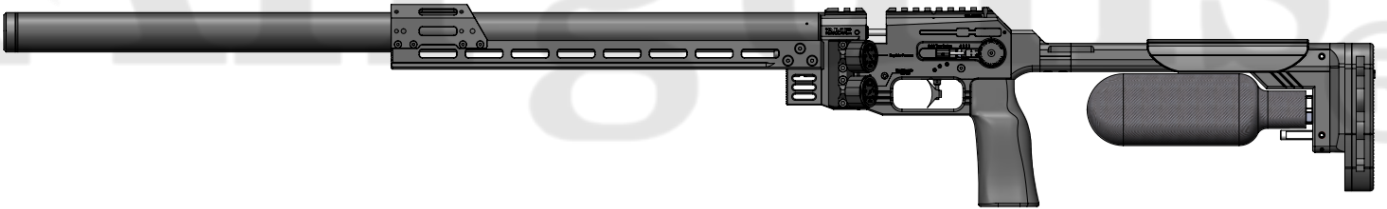
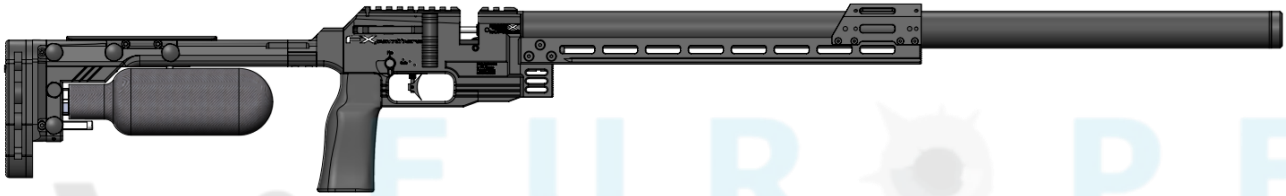


Model	Website	Date	Revision	Revision date
FX Panthera	https://europeairguns.com/en	2024-12-26	EN.23.12	2024-11-26

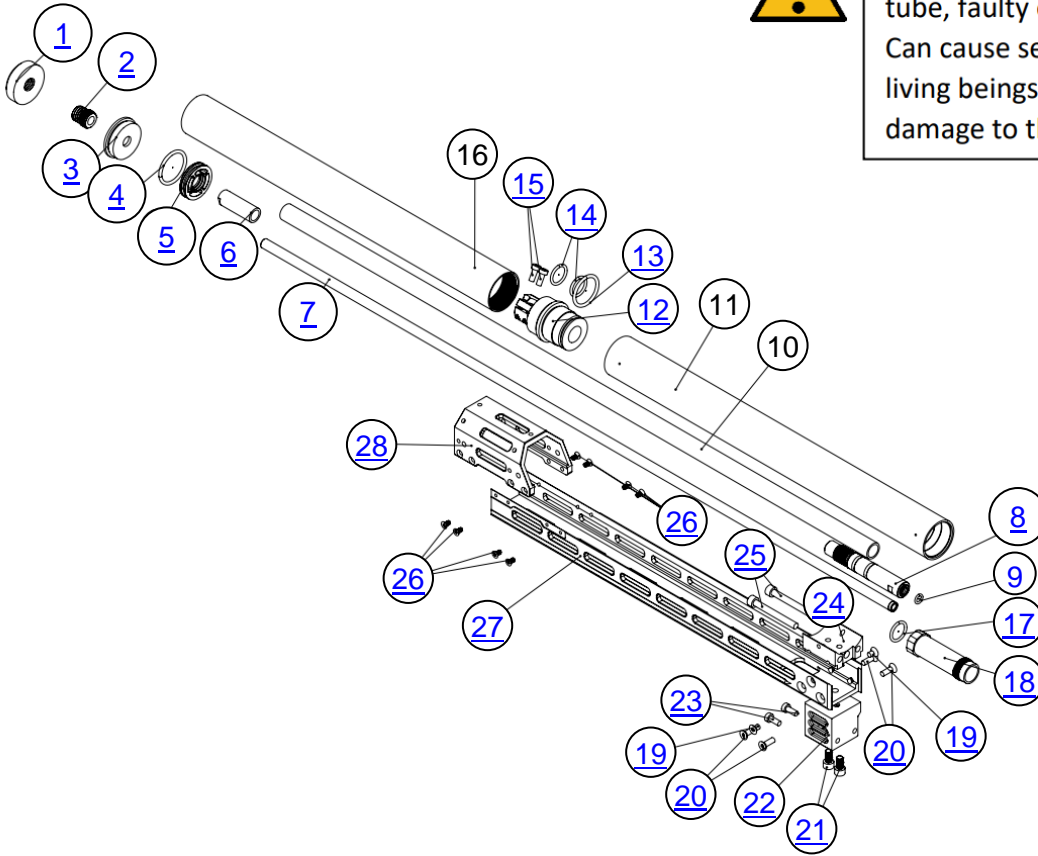
Go to the list and click to go directly to the spare part at the webshop! **Worldwide shipping!**

To find out more visit <https://europeairguns.com>

If there is a spare part that is missing, please contact us here: <https://europeairguns.com/en/contact-us>

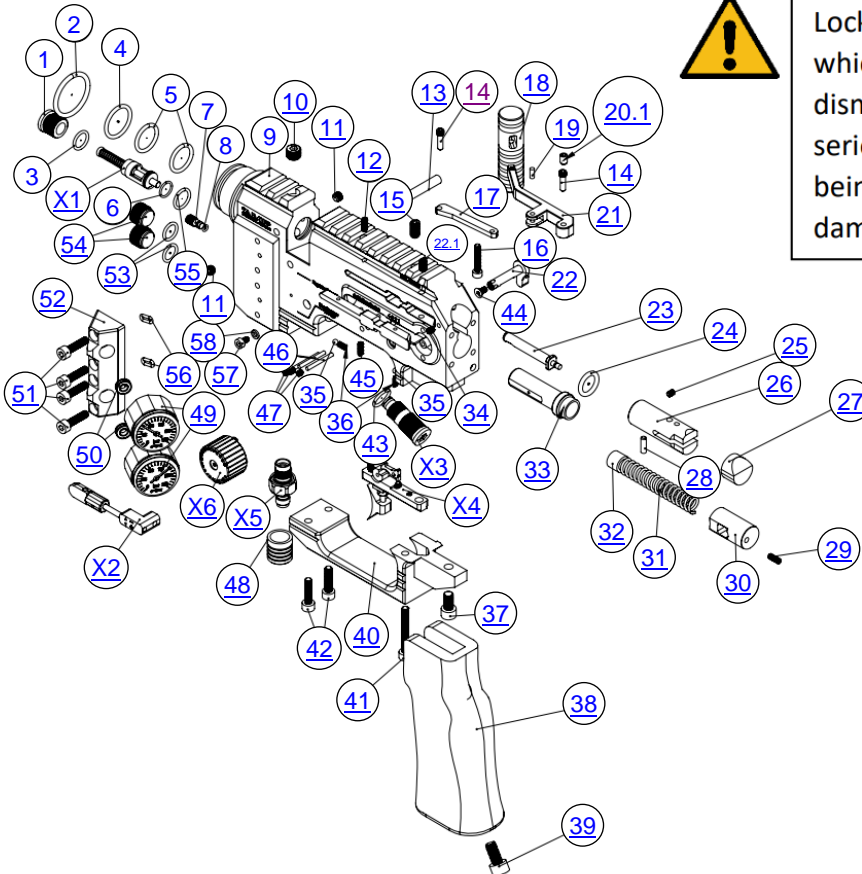


A



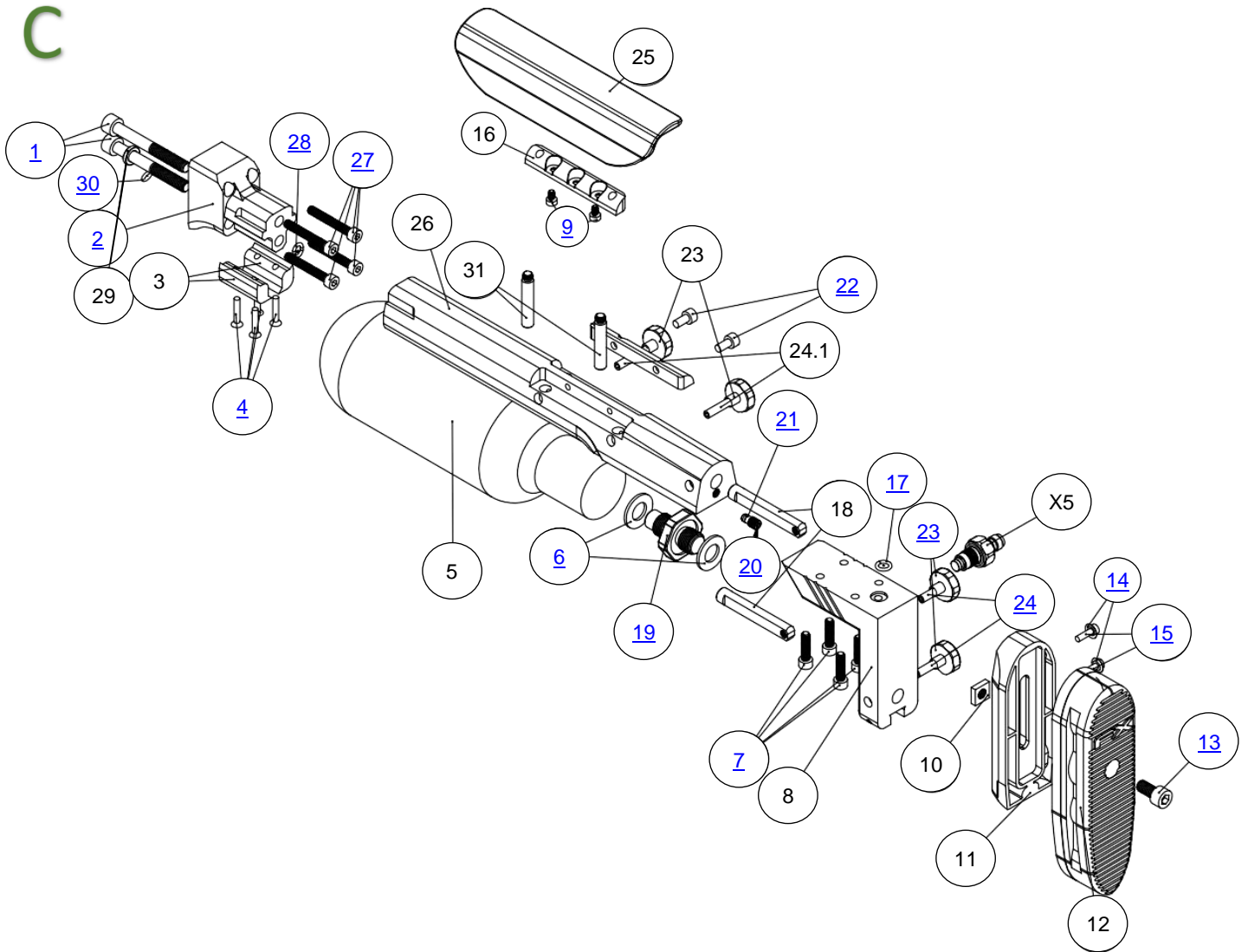
Barrel system A1-A18 runs thru a pressurized tube, faulty dismantling or faulty re-assembly Can cause serious injury to yourself and other living beings in the proximity. Can cause serious damage to the gun and property close by.

B



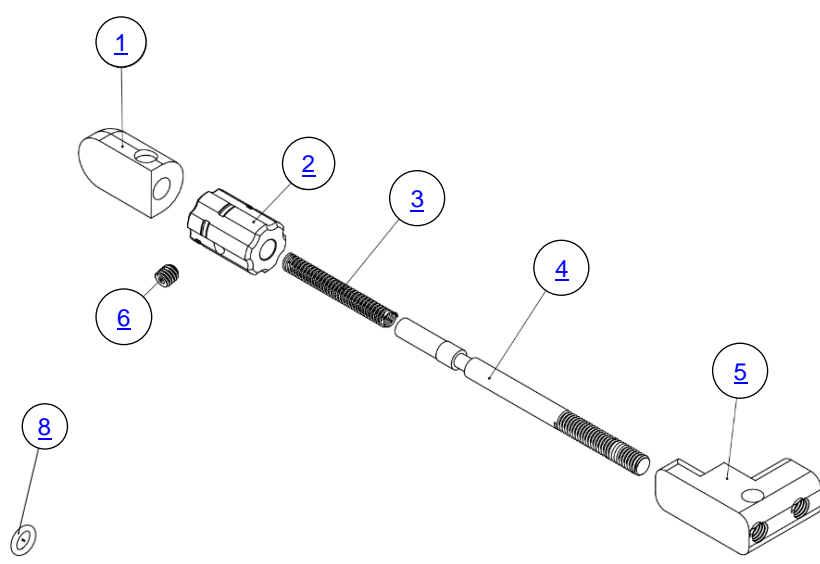
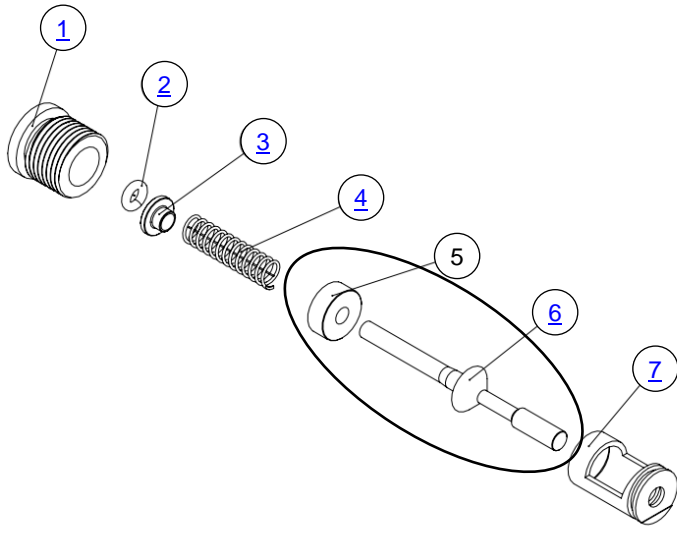
Locking screw A11 holds the barrel system which runs thru a pressurized tube, faulty dismantling or faulty re-assembly Can cause serious injury to yourself and other living beings in the proximity. Can cause serious damage to the gun and property close by.

C

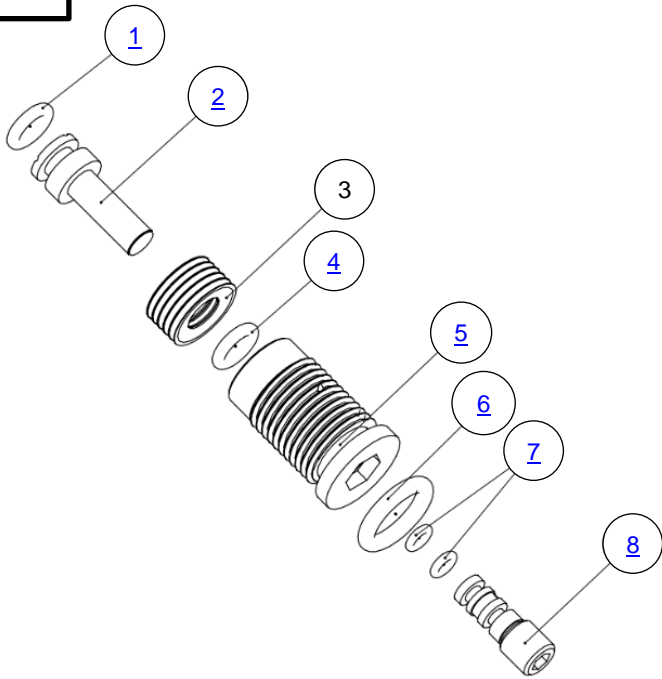


X1

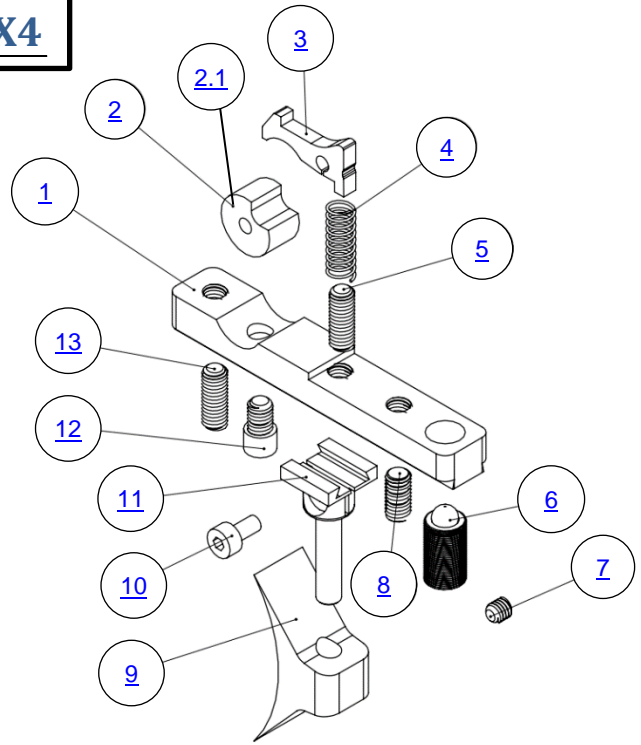
X2



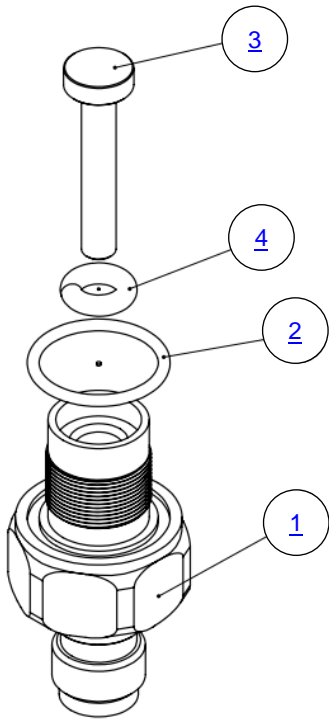
X3



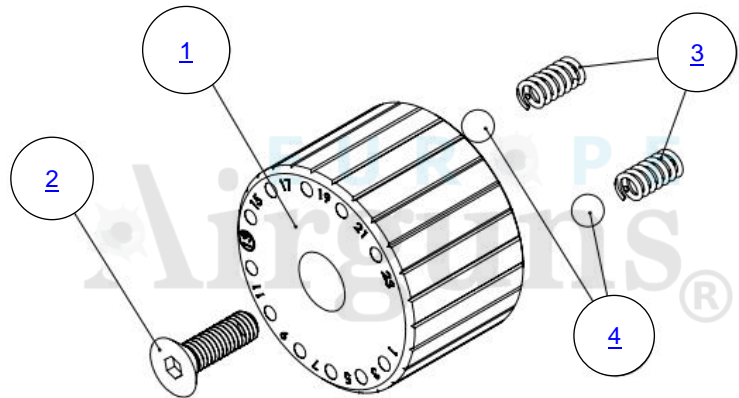
X4



X5



X6



NO	ART. NO	DESCRIPTION	NO	ART. NO	DESCRIPTION
A DIAGRAM			B5	FX19950	O-ring 14x2 NBR70
A1	FX20945	Muzzle-Thread Cover	B6	FX19108	O-ring 8x1 NBR90
A2 .177, .22	FX10332-22	Muzzle thread insert .177, .22	B7	FX19694	Brass adapter Impact
A2 .25	FX10332-25	Muzzle thread insert .25	B8	FX19761	O-ring 2,2x1 NBR70
A2 .30	FX10332-30	Muzzle thread insert .30	B9	FX20999	Main Block Dynamic
A3	FX20944	Shroud Muzzle Cap Dynamic	B10	FX11532	Grub screw M8x10
A4	FX19105	O-ring 25x2,5 NBR70	B11	FX19114	Grub screw M5x6
A5	FX20943	Shroud Bushing with airvents Dynamic	B12	FX19742	Grub screw M3x8
A6	LLCOK	Liner Locker	B13	FX2526	Grub screw M5x25
A7	BAN	Liner Superior Heavy	B14	FX20946	Carrier Screw Dynamic
A8 .177	FX20928	Barrel inlet .177 Dynamic	B15	FX10374	Second stage trigger screw M5
A8 .22	FX20929	Barrel inlet .22 Dynamic	B16	FX11060	Socket head cap screw M3x22
A8 .25	FX20930	Barrel inlet .25 Dynamic	B17	FX20915	Linkage Dynamic
A8 .30	FX20931	Barrel inlet .30 Dynamic	B18	FX10301	Side lever handle
BARREL INLET ORING			B19	FX19026	Cylindrical pin 2,5m6x6
A9 .177	FX5114	O-ring 4,3x1,5 NBR70	B20.1	FX2501	Cup point grub screw M4x6
A9 .22	FX19726	O-ring 5,5x1,5 NBR70	B21	FX20914	Sidelever Dynamic
A9 .25	FX2575	O-ring 6,35x1,27 NBR70	B22	FX19610	Safety
A9 .30	FX19209	O-ring 7,5x1,5 NBR70	B22.1	FX12033	Grub screw M4x8
A10	Support page	See schematic	B23 .177	FX20918	Pellet probe .177 Dynamic
A10.1	BSLC	CF Barrel sleeve	B23 .22	FX20919	Pellet probe .22 Dynamic
A6-10.1	BAD	Barrel STX Dynamic	B23 .25	FX20920	Pellet probe .25 Dynamic
A11	Support page	See schematic	B23 .30	FX20921	Pellet probe .30 Dynamic
A12	FX20938	Valvetube End, Plenum PRS Replaced by: FX21004	B23 .35	FX20922	Pellet probe .35 Dynamic
A13	FX19485	O-ring 23,0x2,5 NBR70	B24	FX5159	O-ring 10,6x2,4 NBR70
A14	FX19950	O-ring 14x2 NBR70	B25	FX16092	Grub screw M3x4
A15	FX19480	Socket head cap screw M4x10	B26	FX20916	Carrier Dynamic
A16	Support page	See schematic	B27	FX20913	Reloading Protection
A17	FX19950	O-ring 14x2 NBR70	B28	FX11509	Cylindrical pin 3h6x10
A18	FX20933	Barrelsupport Dynamic	B29	FX19742	Grub screw M3x8
A19-A28	FX21054C	Arca Panthera Compact Complete	B30	FX20951	Spring Guide Dynamic
A19	FX5208	Countersunk screw M4x6	B31	FX2604	Hammerspring 52mm
A20	FX5225	Countersunk screw M4x12	B32	FX11540	Hammer Weight
A21	FX5202	Socket head cap screw M5x12	B33	FX19039	Hammer V7
A22	FX20934	Barricade Stop Dynamic	B34	FX19109	O-ring 4,0x1,5 NBR70
A23	FX19480	Socket head cap screw M4x10	B35	FX4066	Steel ball 3mm
A24	FX20988	Support Block Dynamic	B36	FX11501	Spring 0,5x2,5x6,1
A25	FX2512	Socket head cap screw M5x55	B37	FX5173	Socket head cap screw M5x10
A26	FX13039	Countersunk screw M3x8	B38	FX20911	AR 15 Grip
A27	FX20935	Fore End Stock Dynamic	B39	FX5170	Socket head cap screw M6x12
A28	FX20942	Fore End Top Accessory Mount Dynamic	B40	FX20912	Trigger Guard Dynamic
B DIAGRAM			B41	FX2536	Socket head cap screw M4x30
B1	FX20925	Valve Housing Dynamic	B42	FX5201	Socket head cap screw M4x16
B2	FX19485	O-ring 23,0x2,5 NBR70	B43	FX19790	O-ring 10,0x1,5 NBR90
B3	FX19763	O-ring 9x1,5 NBR70	B44	FX2504	Countersunk screw M3x6
B4	FX5178	O-ring 16,5x2 NBR90	B45	FX19742	Grub screw M3x8

B46	FX11502	Cylindrical pin 2h6x20	X-1 DIAGRAM		
B47	FX2562	Grub screw M3x3	X1-1	FX20925	Valve holder
B48	FX19910	Dust cover – Quick connection	X1-2	FX15016	O-ring 2,9x1,78 NBR70
B49	FX19791C	Manometer 27mm WIKA 300 bar	X1-3	FX20959	Spring seat
B49	FX19775	Manometer 28mm 250 bar	X1-4	FX19850	Spring 0,5x4x20
B50	FX19762	X-ring 3,63x2,62 NBR70	X1-5	FX20926	Valve gasket
B51	FX5201	Socket head cap screw M4x16	X1-6	FX20924C	Valve pin Complete
B52	FX20986	Angled Mount (Dual) Dynamic	X1-7	FX20923	Valve seat
B53	FX19835	O-ring 8x2 NBR70	X1-8	FX5158	O-ring 3,5x1 NBR70
B54	FX20927	Plugg M12 Dynamic	C29	FX20973	Plastic washer 6x10x2
B55	FX19790	O-ring 10,0x1,5 NBR90	C30	FX19109	O-ring 4,0x1,5 NBR70
B56	FX19726	O-ring 5,5x1,5 NBR70	C31	FX20949	Cheek Piece Bar Dynamic
B57	FX19715	Socket head cap screw M3x5	X-2 DIAGRAM		
B58	FX19736	Plastic Washer 5,3x3,1x1	X2-1	FX10293	Quick adjustment guide Impact M3
B59	FX20917	Sidelever Slot Cover Dynamic	X2-2	FX10292	Quick adjustment wheel Impact M3
C DIAGRAM			X2-3	FX1147	Spring 0,25X2,37X20
C1	FX5172	Socket head cap screw M6x55	X2-4	FX10291	Quick adjustment axle Impact M3
C2	FX20909	Rear Stock Transition Dynamic	X2-5	FX20050-1	Hammer Adjuster Panthera / Dynamic / King
C3	FX20910	Transition Cover Dynamic	X2-6	FX12035	Grub screw M2,5x2,5
C4	FX5171	Countersunk screw M3x12	X-3 DIAGRAM		
C5	Support page	See schematic "Bottle"	X3-1	FX19109	O-ring 4x1,5 NBR 70
C6	FX11507	Rubber/Steel Washer	X3-2	FX19696	Regulator piston (long) (May 2017>)
C7	FX5201	Socket head cap screw M4x16	X3-3	FX0198	Bellwiew washers Crown/Imp FAC
C8	FX20902	Recoilpad L-Mount Dynamic	X3-4	FX19109	O-ring 4x1,5 NBR 70
C9	FX19715	Socket head cap screw M3x5	X3-5	FX19697-1	Regulator house
C10	FX5176	M6 nut	X3-6	FX19225	O-ring 7,5x2 NBR70
C11	FX20901	Recoilpad Mount Dynamic	X3-7	FX19731	O-ring 2x1 NBR 90
C12	FX20900	Recoilpad Dynamic	X3-8	FX19695	Regulator Screw Impact
C13	FX5170	Socket head cap screw M6x12	X-4 DIAGRAM		
C14	FX16123	Screw M4x12	X4-1	FX19924	Trigger base Crown
C15	FX2570	Washer 10x4,2x0,5	X4-2	FX11525	Trigger wheel Replaced by: FX10392
C16	FX20977	Cheek Piece Mount Dynamic	X4-2.1	FX10392	Trigger wheel 4
C17	FX19726	O-ring 5,5x1,5 NBR70	X4-3	FX19934	Trigger sear Crown
C18	FX20908	Recoilpad rod Dynamic	X4-4	FX11504	Spring 0,32x3,2x14,4
C19	FX20983	Bottle connector PRS	X4-5	FX19742	Grub screw M3x8
C20	FX19694	Brass adapter Impact	X4-6	FX11015	Second stage trigger screw M5
C21	FX19761	O-ring 2,2x1 NBR70	X4-7	FX12035	Grub screw M2.5x2.5
C22	FX5230	Socket head cap screw M4x6	X4-8	FX2500	Grub screw M3x6
C23	FX20948	Cheek Piece Locking Knob Dynamic	X4-9	FX19136	Adjustable trigger blade
C24	FX5201	Grubscrew M4x16	X4-10	FX19178	Socket head cap screw M2x4
C24.1	FX5174	Grubscrew M4x20	X4-11	FX19137	Triggerpin
C25	FX20950	Cheek Piece Dynamic	X4-12	FX19927	Screw trigger roll Crown
C26	FX20907	Rear Stock Dynamic	X4-13	FX19742	Grub screw M3x8
C27	FX2536	Grub screw M4x30	X-5 DIAGRAM		
C28	FX5125	O-ring 6,5x1,5 NBR70	X5-1	FX16303	Quick connector short
C29	FX20973	Plastic washer 6x10x2	X5-2	FX19720	O-ring 10x1 NBR90
C30	FX19109	O-ring 4,0x1,5 NBR70	X5-3	FX19005	Inlet valve rod
C31	FX20949	Cheek Piece Bar Dynamic	X5-4	FX5107	O-ring 2,9x1,78 PUR90

X-6 DIAGRAM					
			X6-1	FX19908	Power adjuster Crown
			X6-2	FX2508	Countersunk screw M3x10
			X6-3	FX11501	Spring 0.5x2.5x6.1
			X6-4	FX4066	Steel ball 3mm